

CART

ROVICAR

ROVICAR+

MOTORIZED
MULTI-FUNCTION
CART

Your dealer



DESCRIPTION

The Rovicar is a **multi-fonction** motorized cart: it feeds, mulches and can even clean!

Available in several models from **36 to 91 cu.ft.** (1019 to 2577 liters), it fits any farm size.

Many accessories allow you to use it according to your needs: front loader, side brush... Make it work hard!

Quick and efficient, it is the ultimate versatile cart!

Its strong points?

- Its robots and reliable mechanics
- Its variety of options to make it even more versatile!
- The power steering on the largest models
- A 2-years warranty (parts and labor) available as an option

DETAILS



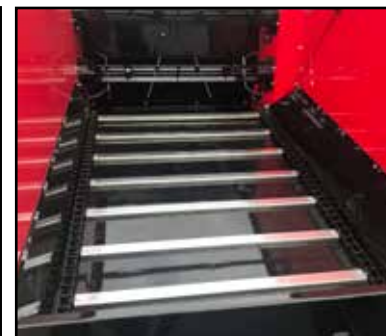
FRONT LOADER



SIDE SPREADER



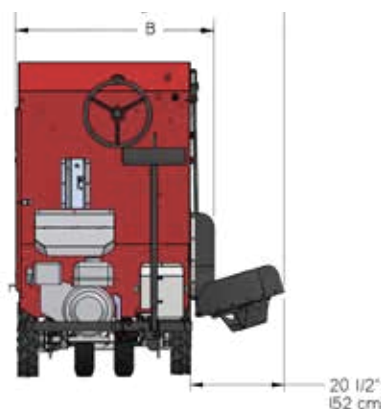
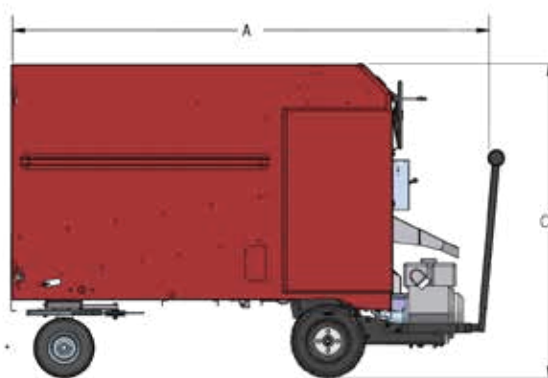
SIDE BRUSH



APRON

TECHNICAL SPECIFICATIONS

CAPACITY	Tub capacity from 36 to 91 cu.ft (1.02 to 2.58 m ³)		
MOTORIZATION	9 or 13 HP HONDA petrol engine, electric starter		
APRON	Mechanical drive, variable speed control available as an option		
WHEELS	Simple or double wheels, standard or flat free - 8"(203mm) rised version		
FRAME	Steel frame, available in stainless steel		
AVAILABLE OPTIONS	<input type="checkbox"/> Hydraulic front loader <input type="checkbox"/> 18" (45.7 cm) retractable side spreader	<input type="checkbox"/> Side brush	<input type="checkbox"/> Hydraulic power steering <input type="checkbox"/> Nylon liner for auger



MODEL	LENGTH A		WIDTH B		HEIGHT C*		MIN. TUB CAPACITY**		WEIGHT WITHOUT OPTIONS	
	IN	CM	IN	CM	IN	CM	FT ³	M ³	LBS	KG
4530	94	237.5	36	91.4	67	170	36	1.13	1285	583
5636	94	237.5	42	106.9	67	170	44	1.35	1461	663
5642	94	237.5	48	121.9	67	170	52	1.55	1638	743
7036	104	257.8	42	106.9	67	170	52	1.58	1521	690
7042	104	257.8	48	121.9	67	170	61	1.84	1695	769
9542	120	257.8	48	121.9	67	170	81	2.29	1856	842
12048	120	257.8	54	137.2	67	170	91	2.60	2048	929

* In rised version, height C is 72" - 182.9 cm

** Tub capacity corresponds to the minimum loading volume, flush with the top of the tub but excluding the beaters' zone.