

TMR MIXER

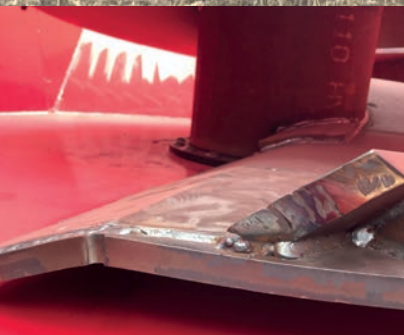
PULL-TYPE



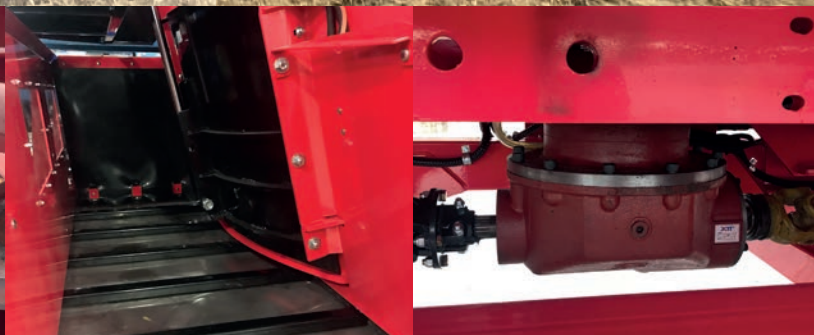
# VICTOR

## SERIES

*Your dealer*



STAINLESS KICKER



STAINLESS CONVEYOR



HD PLANETARY



LED LIGHTS



## DESCRIPTION

A simple mixer, designed to last and have it done well and efficiently. An exceptional and *proven* mixing quality.

Available in 3 models, ranging from 440 to 900 cubic feet.

- 3/4" auger flighting in **44W steel**
- **Stainless steel** auger kicker plate
- **5 knives per auger**, possibility up to 7
- **Stainless steel liner** inside the tub\*
- Front centered door with hydraulic cylinder
- **2-sided** hydraulic discharge conveyor
- *Heavy Duty* planetary
- A 2-years warranty (parts)\*

\*Conditions apply

## STANDARD EQUIPMENT

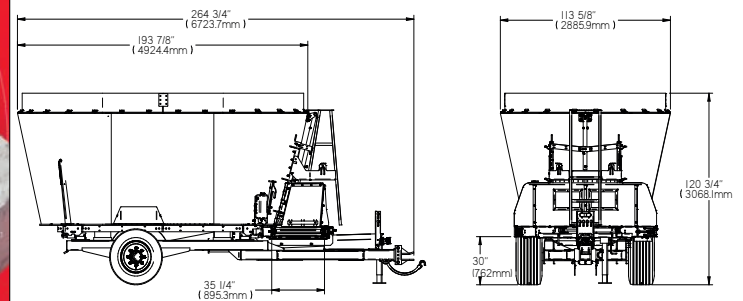
- 5 knives per auger (4 tungsten, 2 strong backs and 1 vertical)
- 3/4" (19 mm) auger flighting in 44W steel
- Stainless steel auger kicker plate
- Manual restrictor plates
- 540 rpm or 1000 rpm PTO
- 3/4" (19 mm) floor and 1/4" (6 mm) walls in 44W steel
- 42" (106 cm) front centered door
- 36" (91,5 cm) flat conveyor - 8' (243 cm) hydraulic
- Left/right discharge
- Stainless steel conveyor pan & HD stainless steel chain
- 4 point scale system and scale
- Independent oil reservoirs QUICK-CONNECT
- Removable Hitch
- Viewing platform and safe ladder
- LED lights

## DETAILS

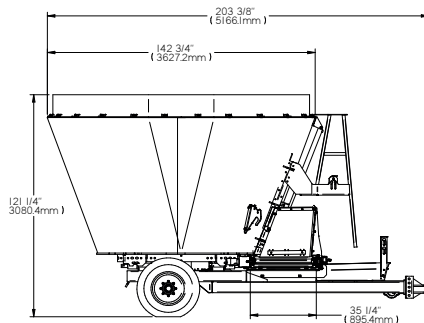
3/4' AUGER FLIGHTING - STAINLESS LINER & KICKER



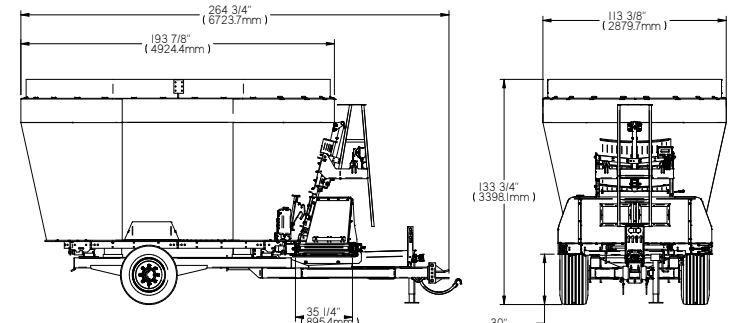
M75



M50



M90



## SPECIFICATIONS

CAPACITY	M50	M75	M90
STRUCK CAPACITY	440 ft3 (12.5m3)	625 ft3 (18.4m3)	775 ft3 (21.4m3)
WITH 12" (30 CM) EXTENSION	500 ft3 (14 m3)	750 ft3 (21 m3)	900 ft3 (24 m3)
MAX PAYLOAD	10 000 Lbs (4 535 Kg)	15 000 Lbs (6 800 Kg)	17 600 Lbs (8 000 Kg)
SCALE SYSTEM	4 load cells and DIGI-STAR EZ2500 or DYNAMICA DG400 scale		
DRIVE / PTO	540 RPM or 1000 RPM, C/V available as an option		
DISCHARGE GROUND CLEARANCE	■ M50: 34" (86.4 cm)	■ M75 - M90: 36" (91,5 cm)	
TIRES	■ M50: 2 tires 15.0/55R17 ■ M75 - M90: 2 tires 445/45R19,5		
MINIMUM POWER REQUIREMENT	■ M50: 85 HP	■ M75: 120 HP	■ M90: 150 HP
INCLUSIONS ADDED <i>VERSION PRO</i>	■ 24" stainless steel liner		■ extension 12" (30 cm)
	■ 2-years warranty (parts)		
EMPTY WEIGHT	■ M50: 10 500 Lbs (4 750 Kg)	■ M75: 15 000 Lbs (6 800 Kg)	■ M90: 16 000 Lbs (7 300Kg)